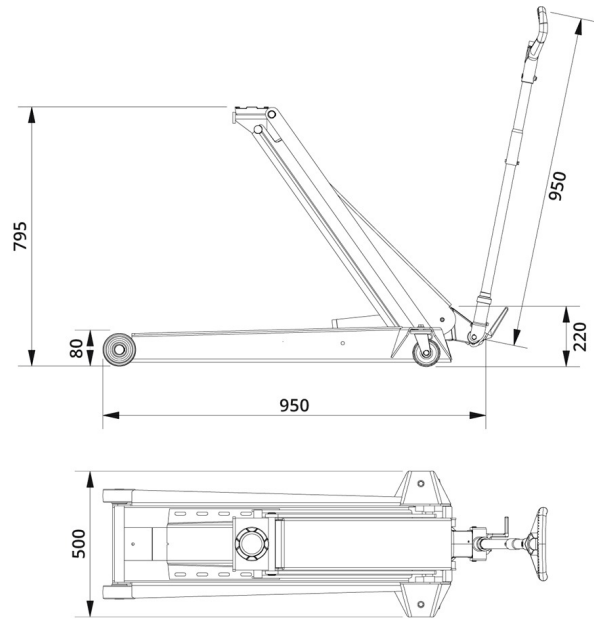


HYDRAULIC JACK DK20HLQ

HIGH LIFTING JACK IDEAL FOR SUVs AND VANS

Item number: 3605000

- ✓ Very low minimum height of only 80 mm
- ✓ Wide and robust frame made of high-strength steel
- ✓ Quick-lift pedal for easy reach of lifting point
- ✓ Precise and safe control whilst lowering



Capacity:	2 t
Min height:	80 mm
Max height:	795 mm
Frame length:	950 mm
Frame height:	220 mm
Handle length:	950 mm
Width:	500 mm
Weight:	49 kg

HYDRAULIC JACK

ACCESSORIES DK20HLQ:

GS1

Rubber cushion for protection of car body



Item number: 3601400

T3

Lifts the car for change of both wheels at the same time



Item number: 3606000

FDK1

Extension for cars with high clearance - 100 mm



Item number: 3601600