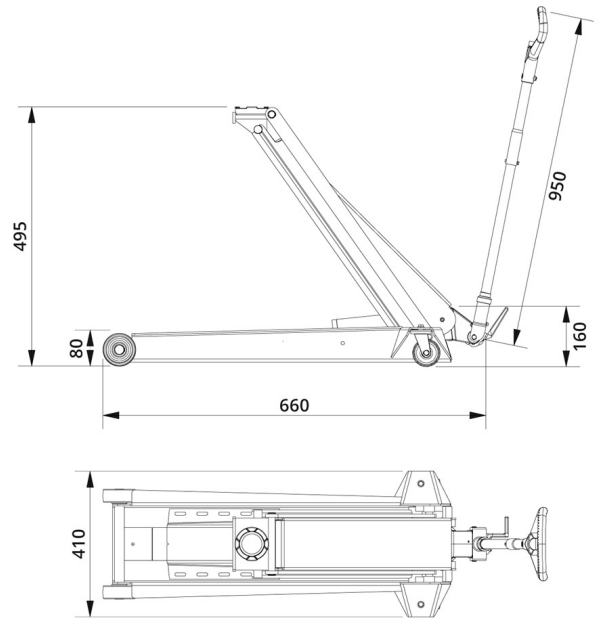


# HYDRAULIC JACK DK20

## HYDRAULIC JACK FOR PASSENGER CARS AND VANS

Item number: 3600000

- ✓ Very low minimum height of only 80 mm
- ✓ Wide and robust frame made of high-strength steel
- ✓ Precise and safe control whilst lowering
- ✓ Manual dead man's release for optimum safety when lowering



Capacity:	2 t
Min height:	80 mm
Max height:	495 mm
Frame length:	660 mm
Frame height:	160 mm
Handle length:	950 mm
Width:	410 mm
Weight:	31 kg

# HYDRAULIC JACK

---

## ACCESSORIES DK20:

### GS1

Rubber cushion for protection of car body



Item number: 3601400

### T3

Lifts the car for change of both wheels at the same time



Item number: 3606000

### FDK1

Extension for cars with high clearance - 100 mm



Item number: 3601600