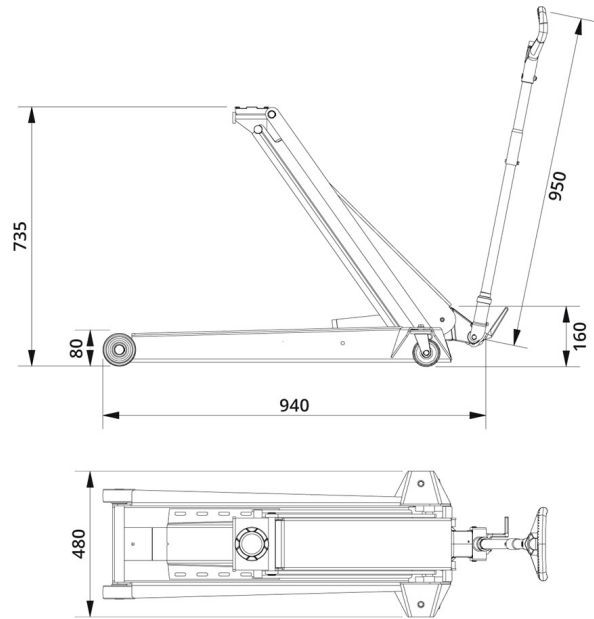


HYDRAULIC JACK DK13HLQ

HIGH LIFTER WITH LONG REACH, IDEAL FOR CARS WITH LOW CLEARANCE

Item number: 3602000

- ✓ Very low minimum height of only 80 mm
- ✓ Wide and robust frame made of high-strength steel
- ✓ Fitted with quick-lift pedal for easy reach of lifting point
- ✓ Precise and safe control whilst lowering



Capacity:	1,3 t
Min height:	80 mm
Max height:	735 mm
Frame length:	940 mm
Frame height:	160 mm
Handle length:	950 mm
Width:	480 mm
Weight:	39 kg

HYDRAULIC JACK

ACCESSORIES DK13HLQ:

GS1

Rubber cushion for protection of car body



Item number: 3601400

T3

Lifts the car for change of both wheels at the same time



Item number: 3606000

FDK1

Extension for cars with high clearance - 100 mm



Item number: 3601600
